

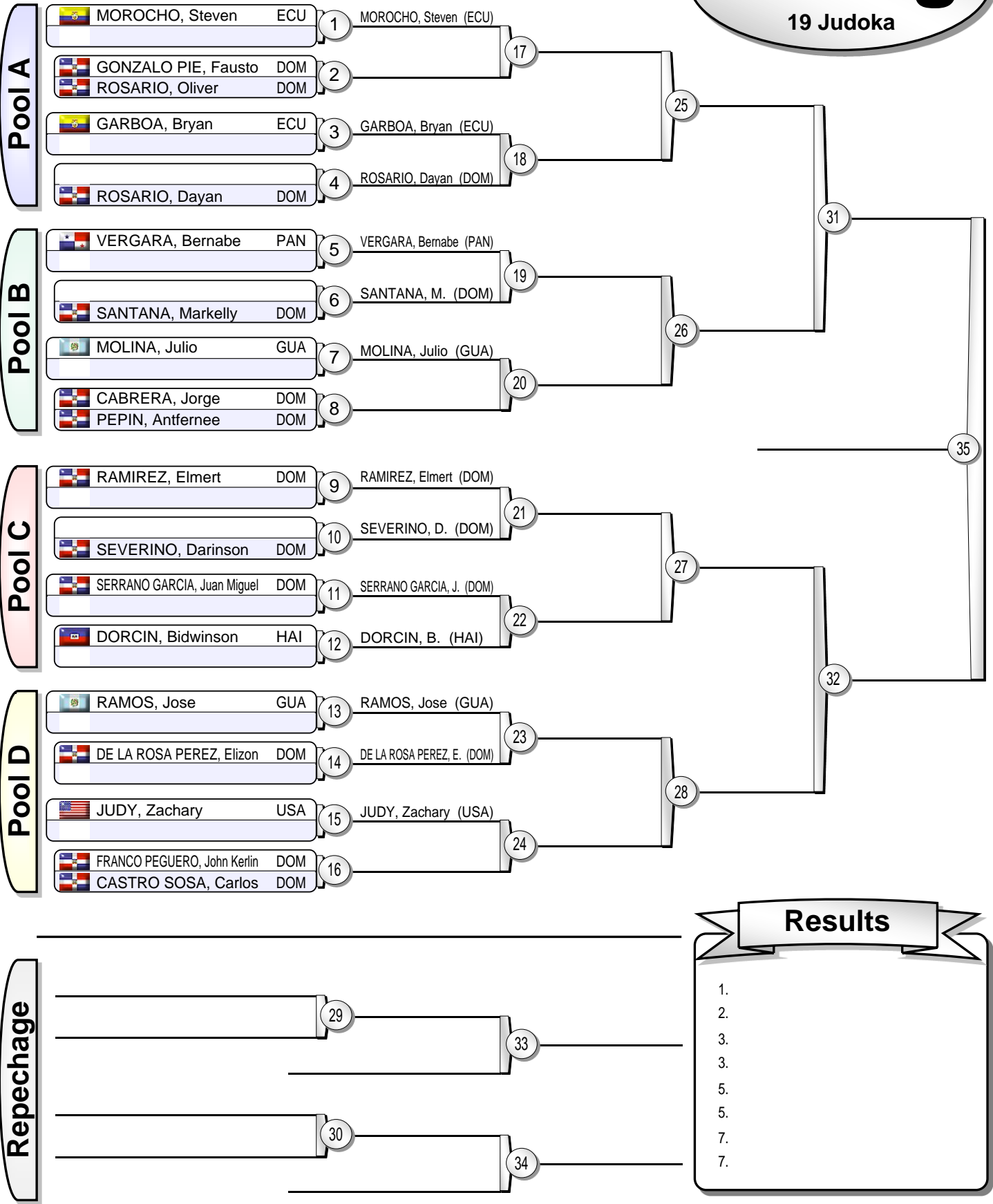


# Pan-American Open Santo Domingo 2019

(DOM Santo Domingo, 6-7 September 2019)

# -60 kg

19 Judoka



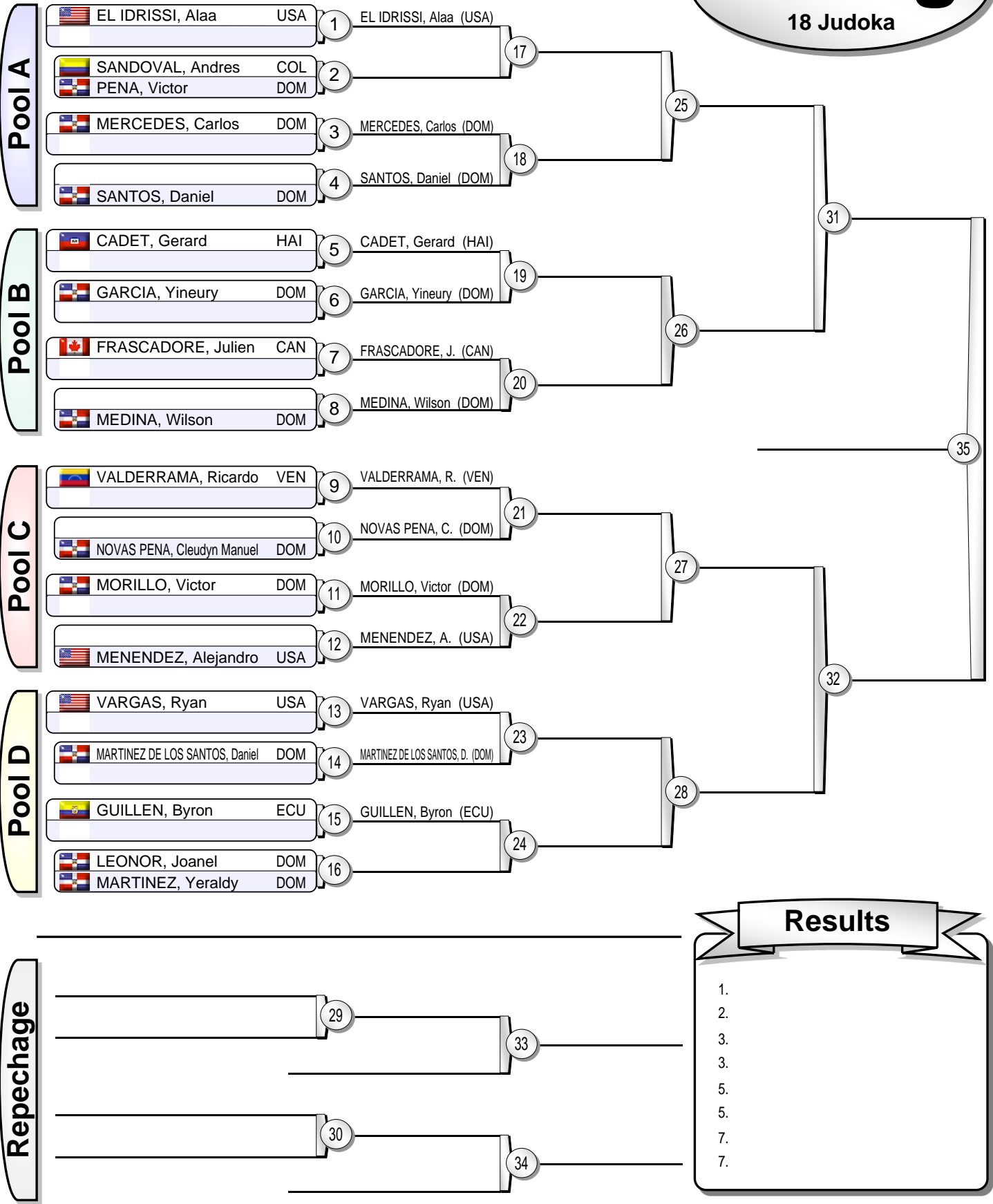


# Pan-American Open Santo Domingo 2019

(DOM Santo Domingo, 6-7 September 2019)

# -66 kg

18 Judoka





# Pan-American Open Santo Domingo 2019

(DOM Santo Domingo, 6-7 September 2019)

# -73 kg

17 Judoka

## Pool A

	CARDOSO, Gilberto	MEX	1	CARDOSO, G. (MEX)	17
	RAMIREZ, Stanli	DOM	2	RAMIREZ, Stanli (DOM)	17
	GERONIMO, Jose	DOM	3	GERONIMO, Jose (DOM)	18
	VILMAR, Robenson	HAI	4	VILMAR, Robenson (HAI)	18

## Pool B

	RUIZ, Jeffrey	PUR	5	RUIZ, Jeffrey (PUR)	19
	ARIAS, Carlos	DOM	6	ARIAS, Carlos (DOM)	19
	ANTIC, Sava	CAN	7	ANTIC, Sava (CAN)	20
	GEREZ CUELLO, Orlando	DOM	8	GEREZ CUELLO, O. (DOM)	20

## Pool C

	MATTEY, Sergio	VEN	9	MATTEY, Sergio (VEN)	21
	GEREZ, Junior	DOM	10	GEREZ, Junior (DOM)	21
	LORENZO, Darvi	DOM	11	LORENZO, Darvi (DOM)	22
	JUTEAU, Gabriel	CAN	12	JUTEAU, Gabriel (CAN)	22
	ROSALBERT, Roudly	HAI	12	ROSALBERT, Roudly (HAI)	22

## Pool D

	METELLUS, Philippe Abel	HAI	13	METELLUS, P. (HAI)	23
	PEREZ, Luis	DOM	14	PEREZ, Luis (DOM)	23
	SALEM, Salama	USA	15	SALEM, Salama (USA)	24
	TORNAL, Antonio	DOM	16	TORNAL, Antonio (DOM)	24

## Repechage

			29		33
			30		34

## Results

- 1.
- 2.
- 3.
- 3.
- 5.
- 5.
- 7.
- 7.

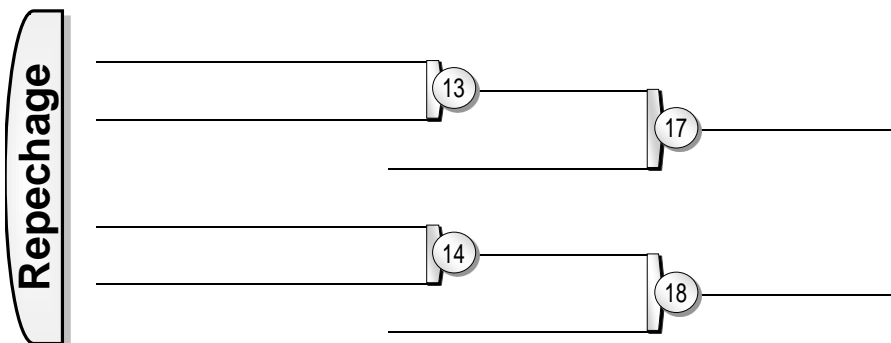


# Pan-American Open Santo Domingo 2019

(DOM Santo Domingo, 6-7 September 2019)

# -81 kg

15 Judoka



### Results

- 1.
- 2.
- 3.
- 3.
- 5.
- 5.
- 7.
- 7.



# Pan-American Open Santo Domingo 2019

(DOM Santo Domingo, 6-7 September 2019)

# -90 kg

7 Judoka

Pool A

FLORENTINO, Robert DOM

1 FLORENTINO, R. (DOM)

Pool B

ROSARIO, Luis DOM

COLLADO, Jorge DOM

2

Pool C

KENDRICK, Benjamin CAN

MARTE, Marcos DOM

3

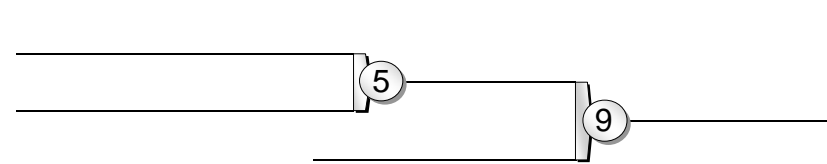
Pool D

NEYOLOV, Danil CAN

GUZMAN, Franklin DOM

4

Repechage



7

8

11

## Results

- 1.
- 2.
- 3.
- 3.
- 5.
- 5.
- 7.
- 7.



# Pan-American Open Santo Domingo 2019

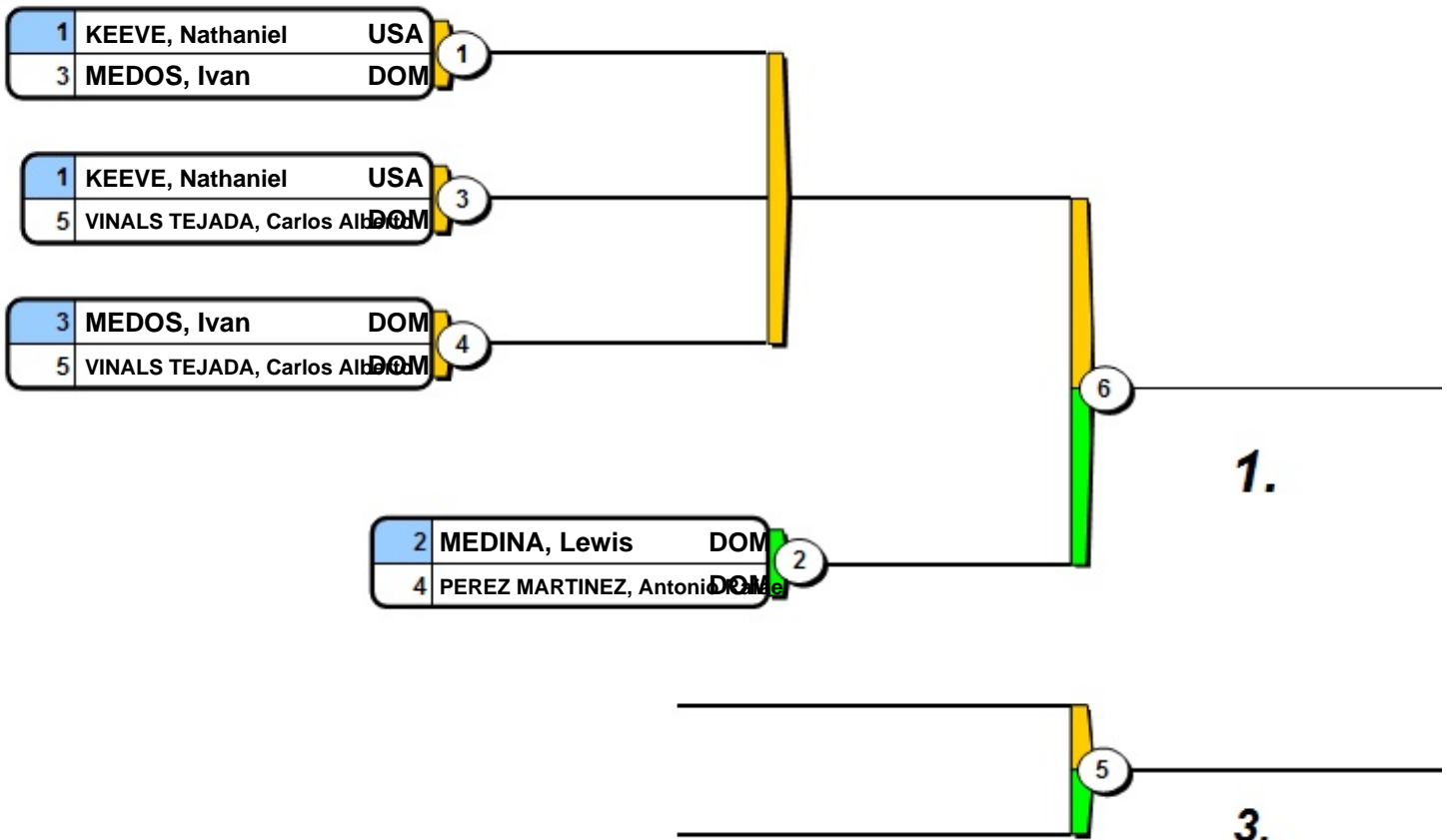
(DOM Santo Domingo, 6-7 September 2019)

# -100 kg

5 Judoka

			1	3	5	Wins	Scores
1	KEEVE, Nathaniel	USA				0	(0)
3	MEDOS, Ivan	DOM				0	(0)
5	VINALS TEJADA, Carlos Alberto	DOM				0	(0)

			2	4	Wins	Scores
2	MEDINA, Lewis	DOM			0	(0)
4	PEREZ MARTINEZ, Antonio	DOM			0	(0)



- 1.
- 2.
- 3.

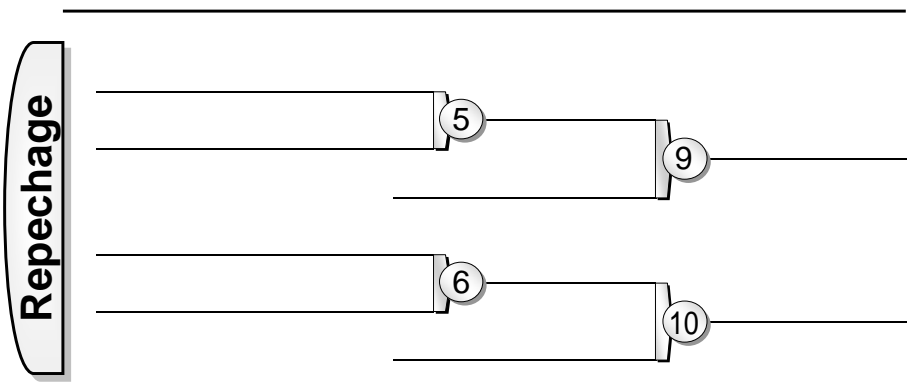
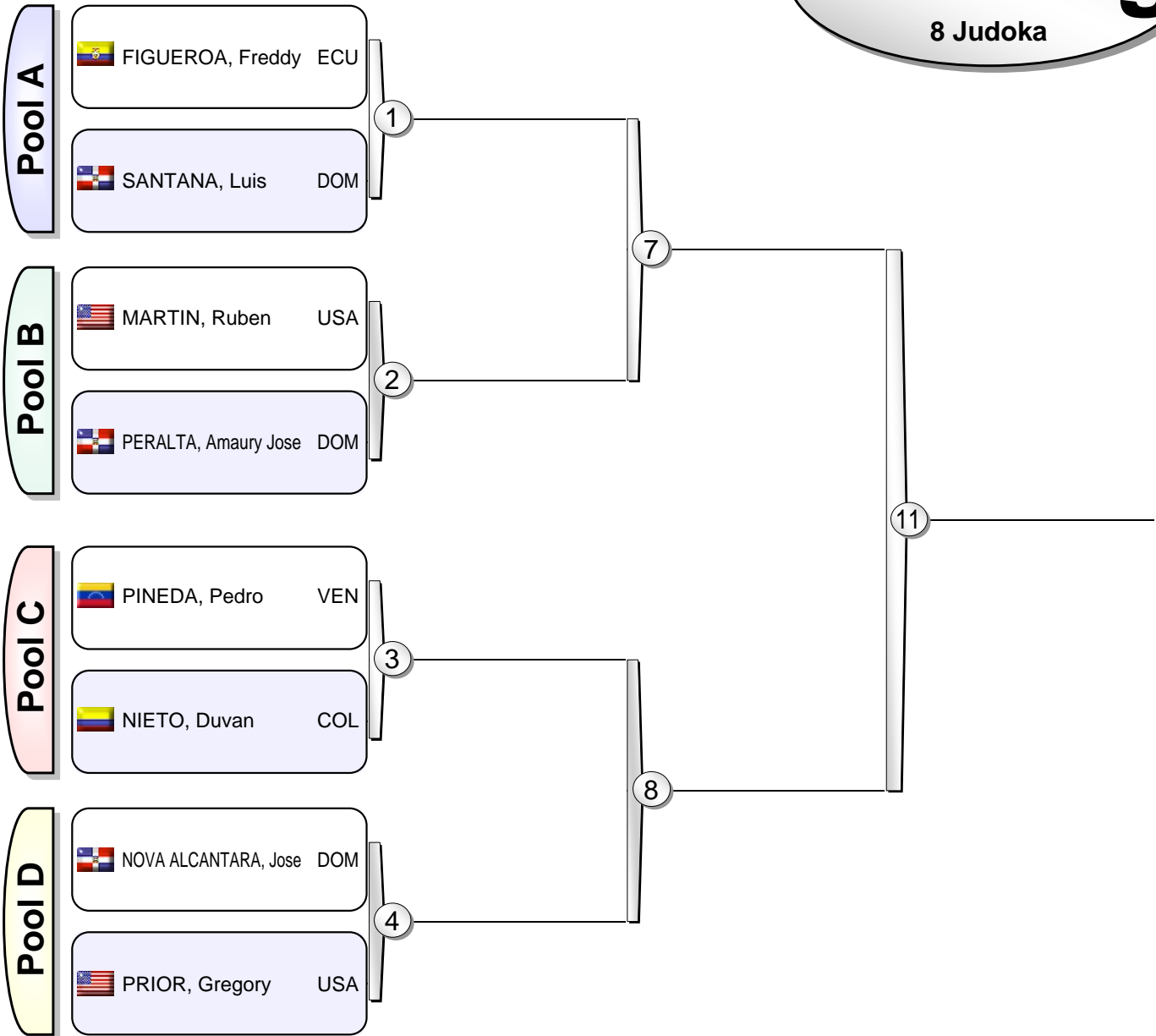


# Pan-American Open Santo Domingo 2019

(DOM Santo Domingo, 6-7 September 2019)

# +100 kg

8 Judoka



### Results

- 1.
- 2.
- 3.
- 3.
- 5.
- 5.
- 7.
- 7.

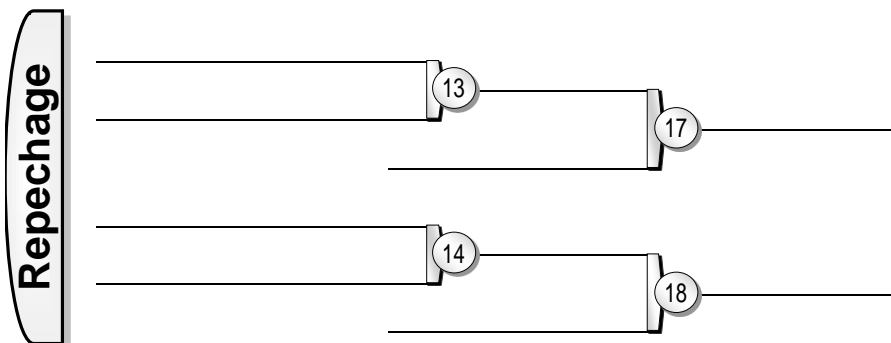


# Pan-American Open Santo Domingo 2019

(DOM Santo Domingo, 6-7 September 2019)

# -48 kg

11 Judoka



### Results

- 1.
- 2.
- 3.
- 3.
- 5.
- 5.
- 7.
- 7.



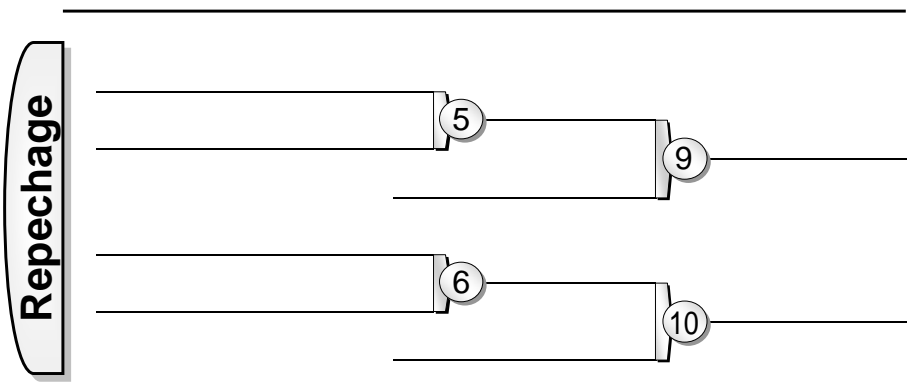
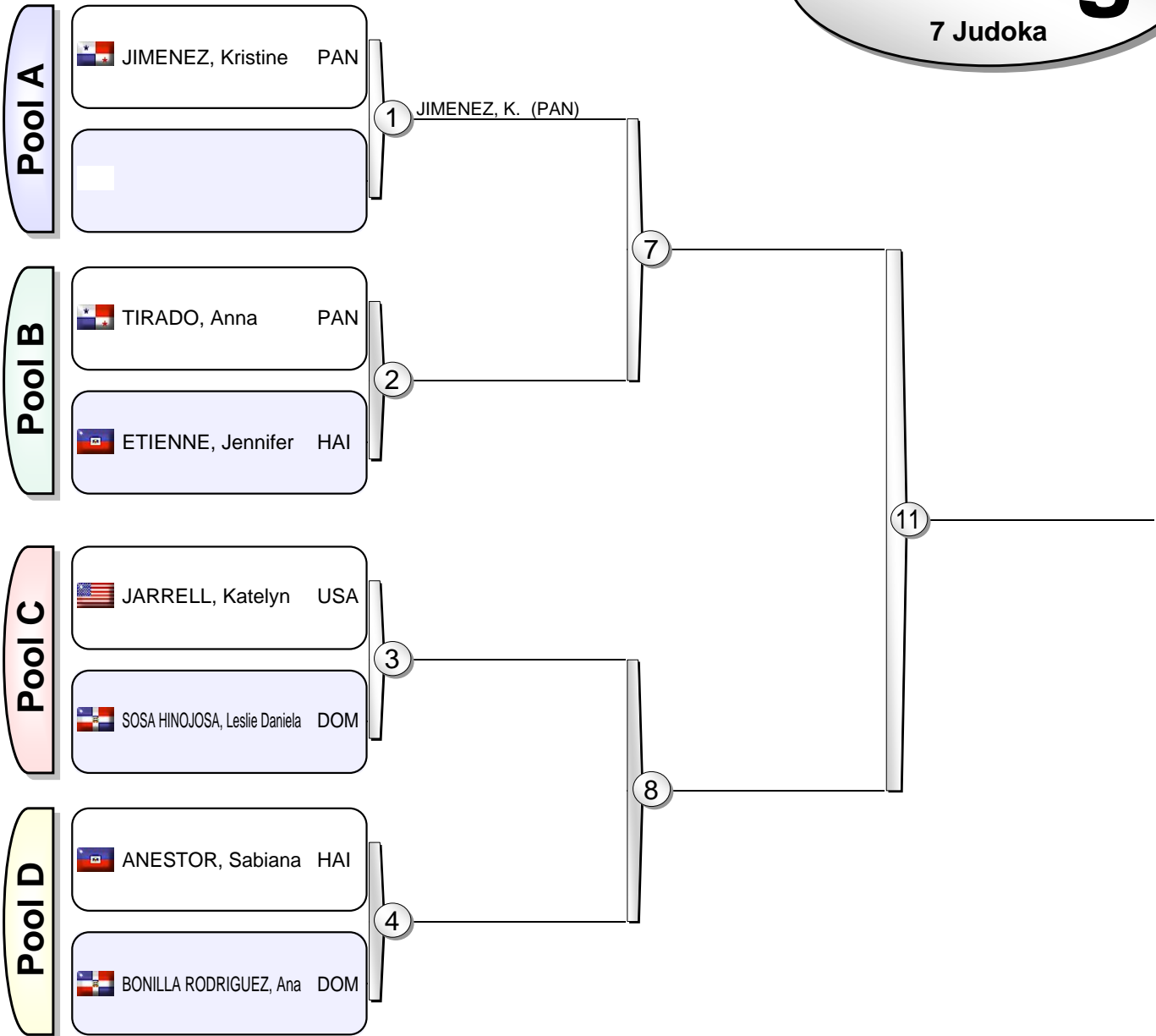


# Pan-American Open Santo Domingo 2019

(DOM Santo Domingo, 6-7 September 2019)

# -52 kg

7 Judoka



Results	
1.	
2.	
3.	
3.	
5.	
5.	
7.	
7.	

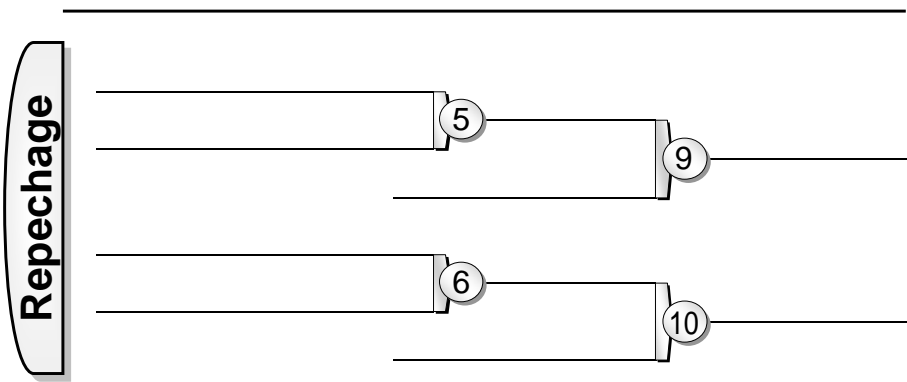
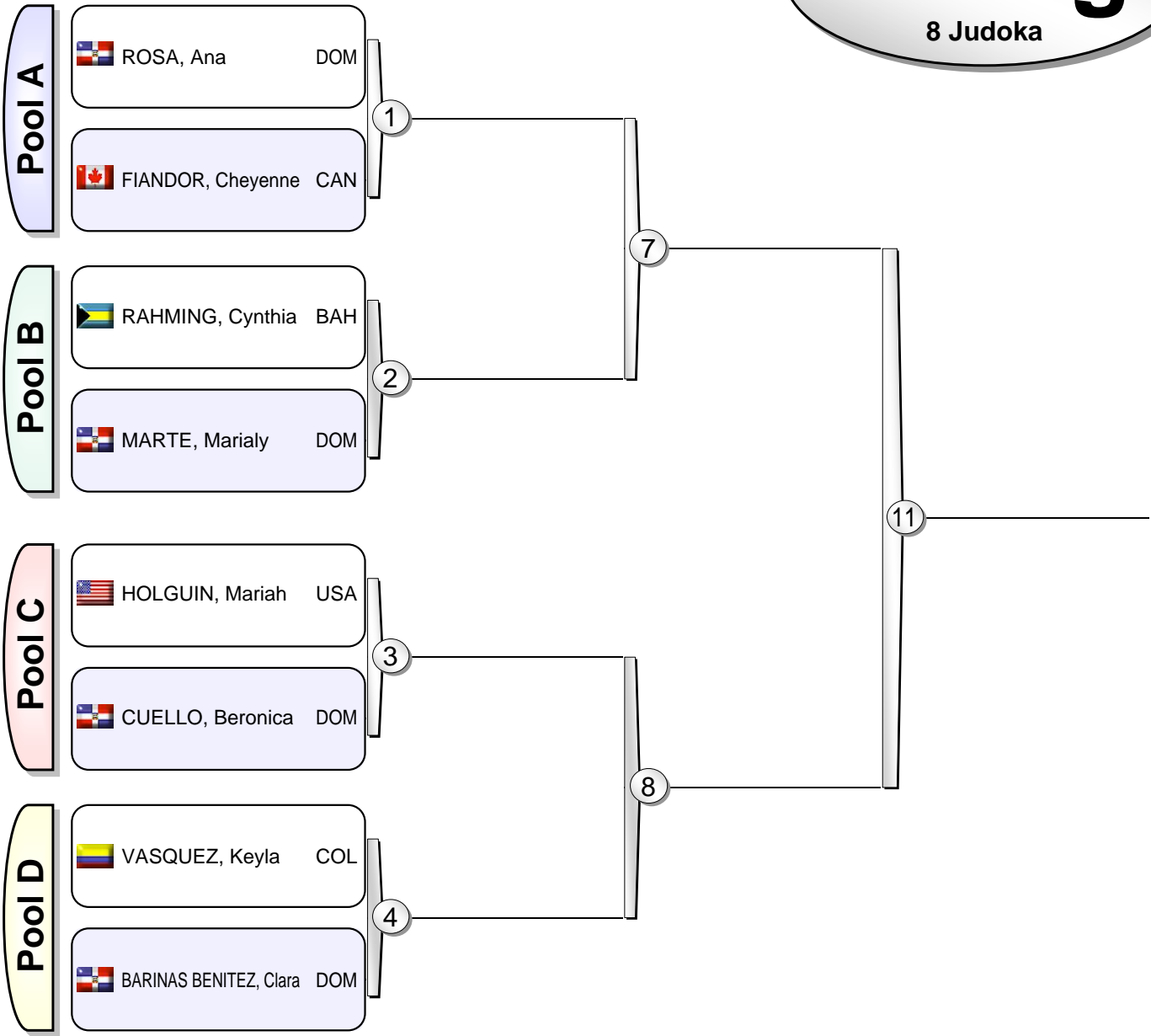


# Pan-American Open Santo Domingo 2019

(DOM Santo Domingo, 6-7 September 2019)

# -57 kg

8 Judoka



### Results

- 1.
- 2.
- 3.
- 3.
- 5.
- 5.
- 7.
- 7.

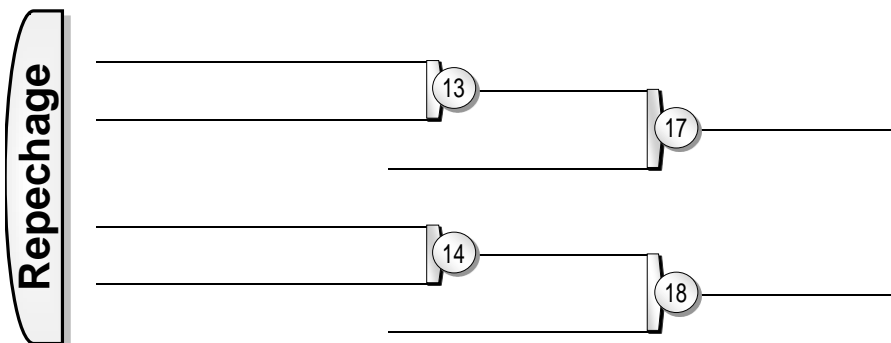


# Pan-American Open Santo Domingo 2019

(DOM Santo Domingo, 6-7 September 2019)

# -63 kg

10 Judoka



### Results

- 1.
- 2.
- 3.
- 3.
- 5.
- 5.
- 7.
- 7.



# Pan-American Open Santo Domingo 2019

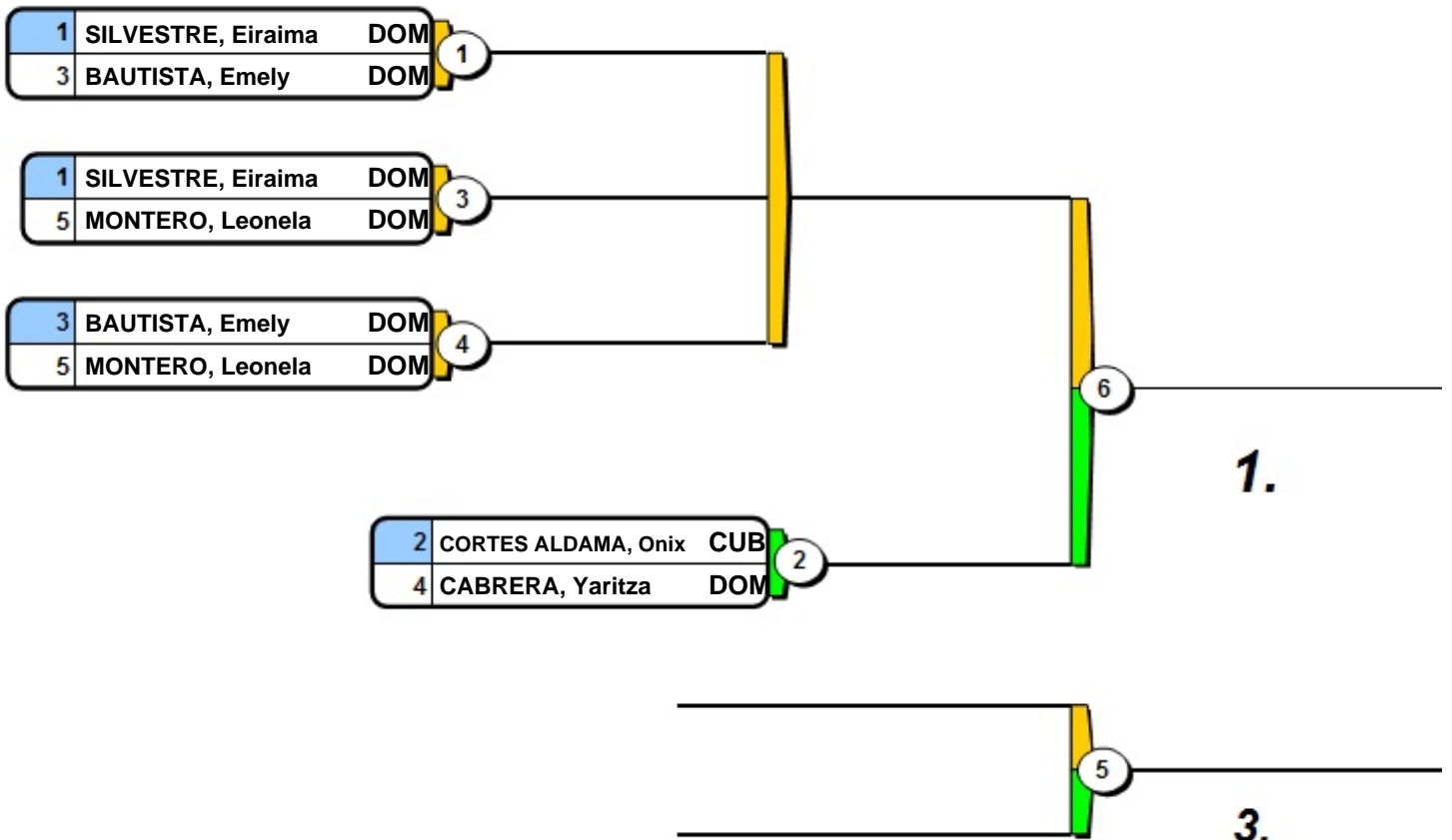
(DOM Santo Domingo, 6-7 September 2019)

## -70 kg

5 Judoka

			1	3	5	Wins	Scores
1	SILVESTRE, Eiraima	DOM				0	(0)
3	BAUTISTA, Emely	DOM				0	(0)
5	MONTERO, Leonela	DOM				0	(0)

			2	4	Wins	Scores
2	CORTES ALDAMA, Onix	CUB			0	(0)
4	CABRERA, Yaritza	DOM			0	(0)



- 1.
- 2.
- 3.

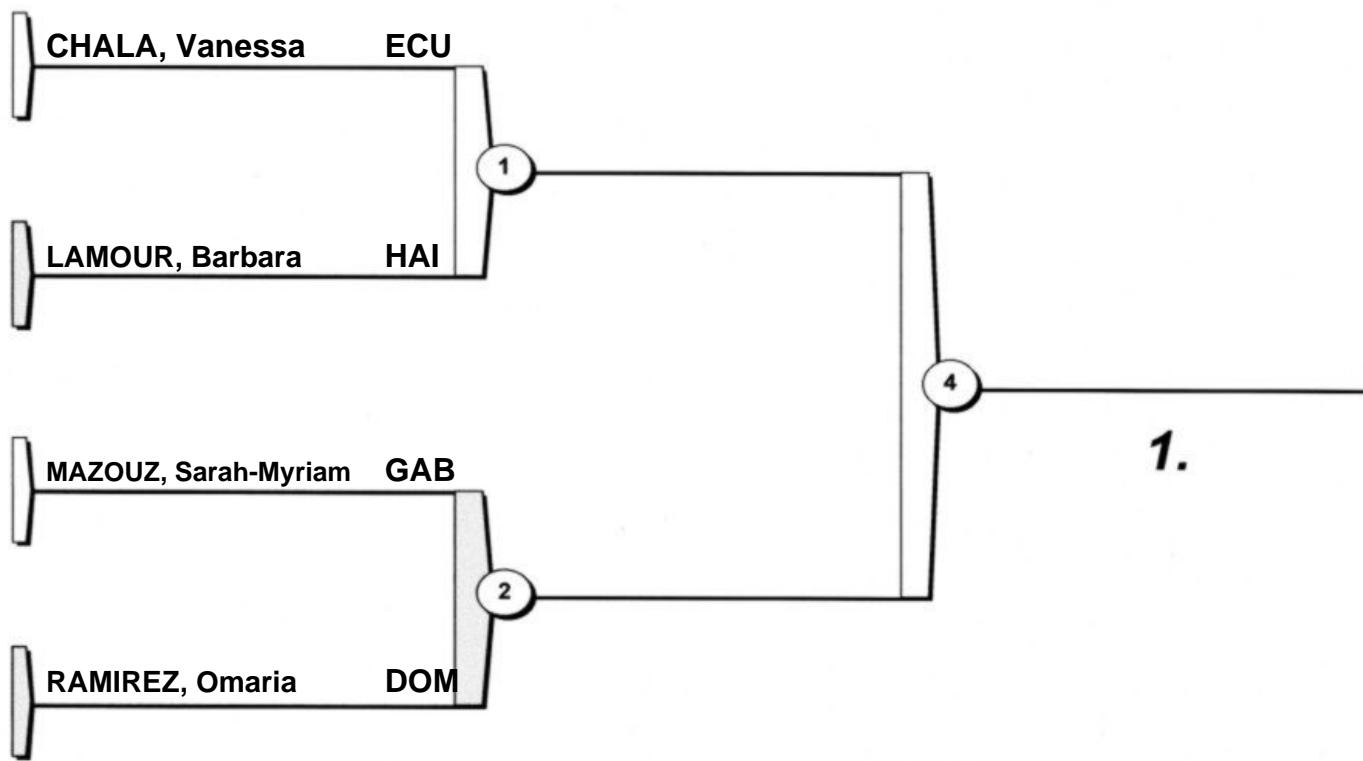


# Pan-American Open Santo Domingo 2019

(DOM Santo Domingo, 6-7 September 2019)

## -78 kg

4 Judoka



- 1.
- 2.
- 3.



# Pan-American Open Santo Domingo 2019

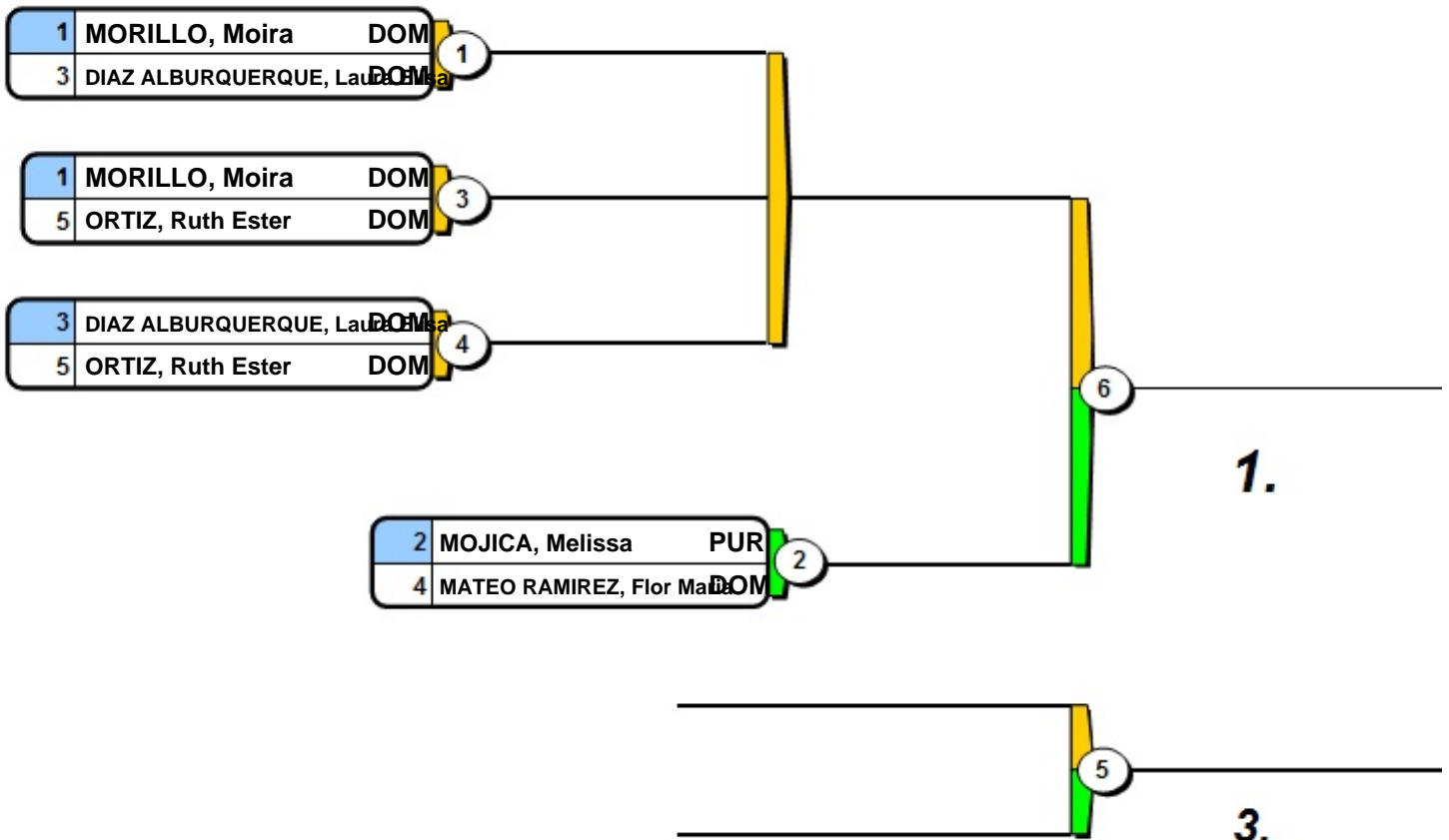
(DOM Santo Domingo, 6-7 September 2019)

# +78 kg

5 Judoka

			1	3	5	Wins	Scores
1	MORILLO, Moira	DOM				0	(0)
3	DIAZ ALBURQUERQUE, Laura	DOM				0	(0)
5	ORTIZ, Ruth Ester	DOM				0	(0)

			2	4	Wins	Scores
2	MOJICA, Melissa	PUR			0	(0)
4	MATEO RAMIREZ, Flor Maria	DOM			0	(0)



- 1.
- 2.
- 3.