

Pan American Cadet Championships 2021

Cali (COL), 13 Aug 2021

-50 kg

3 Judoka

			1	2	3	Wins Score	
1	DELGADO, Javier	USA				0 0	
2	BERMUDEZ, Juan	COL				0 0	
3	SAGASTEGUI, Eduardo	MEX				0 0	

1	DELGADO, Javier	USA	1	_____
2	BERMUDEZ, Juan	COL		

1	DELGADO, Javier	USA	2	_____
3	SAGASTEGUI, Eduardo	MEX		

2	BERMUDEZ, Juan	COL	3	_____
3	SAGASTEGUI, Eduardo	MEX		

Final Results

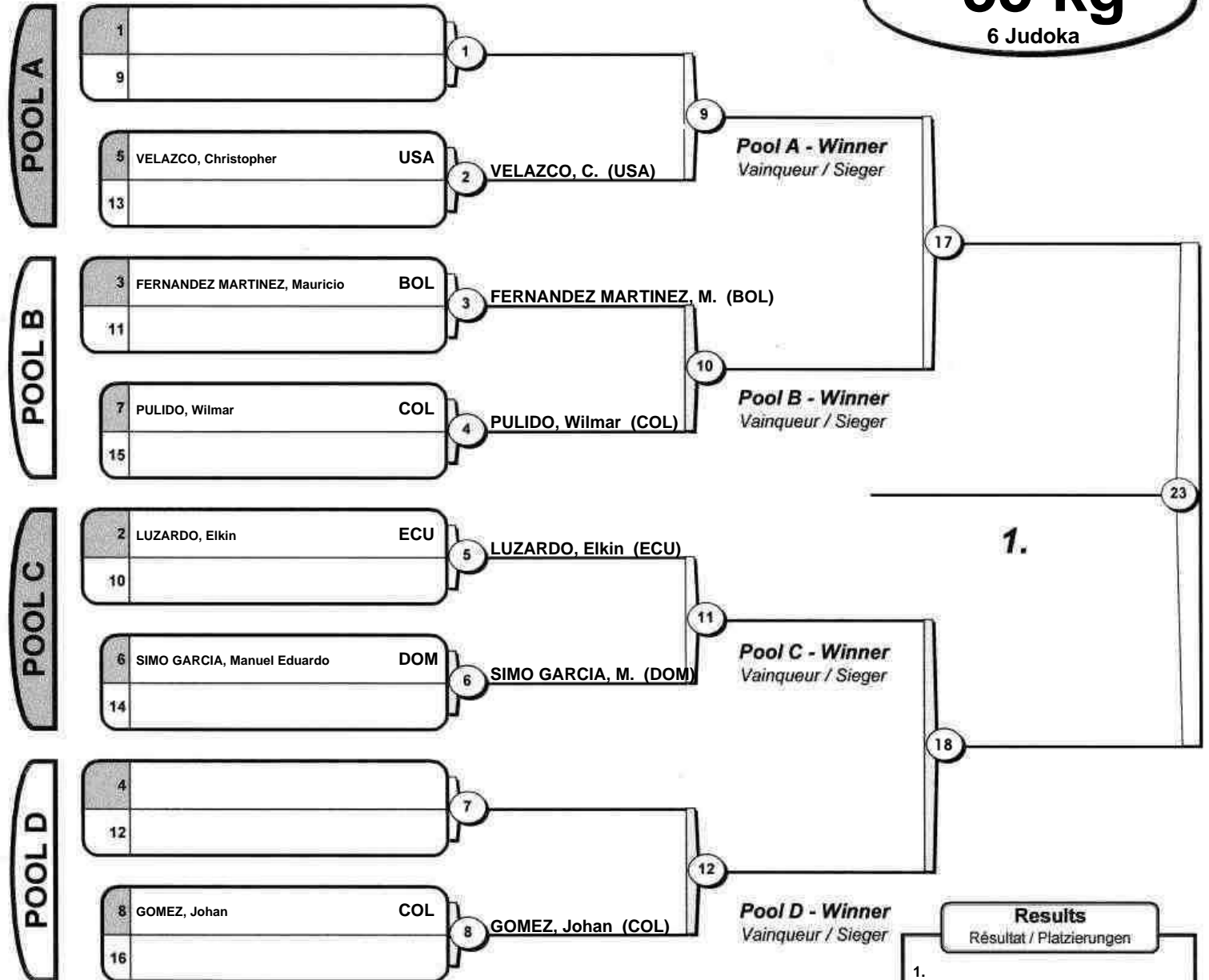
- 1.
- 2.
- 3.

Pan American Cadet Championships 2021

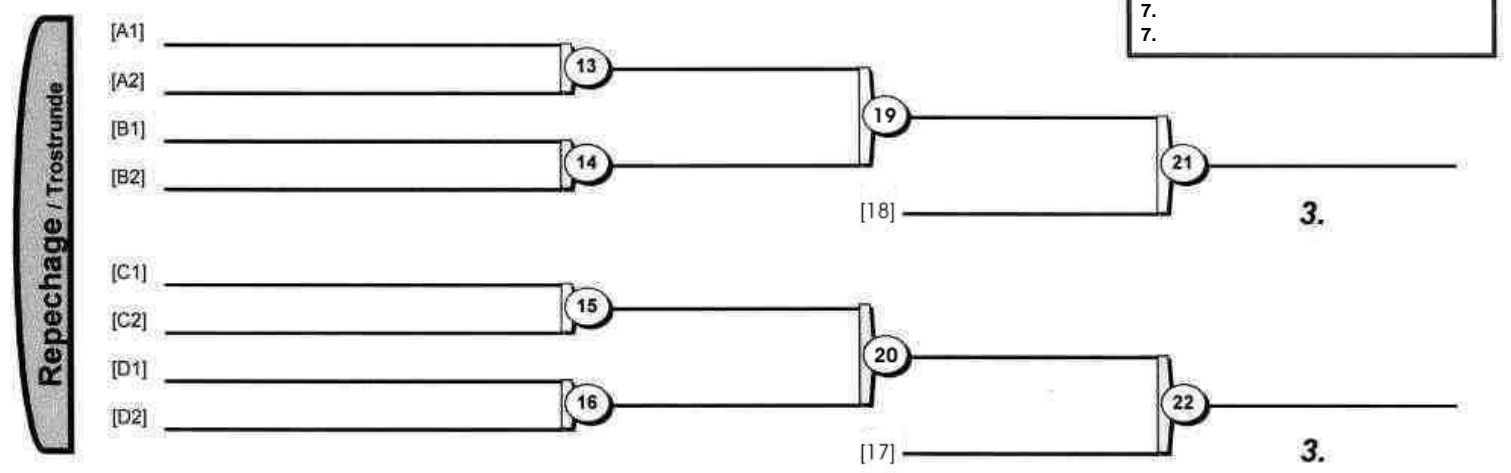
Cali (COL), 13 Aug 2021

-55 kg

6 Judoka



Results	
Résultat / Platzierungen	
1.	
2.	
3.	
3.	
5.	
5.	
7.	
7.	



Pan American Cadet Championships 2021

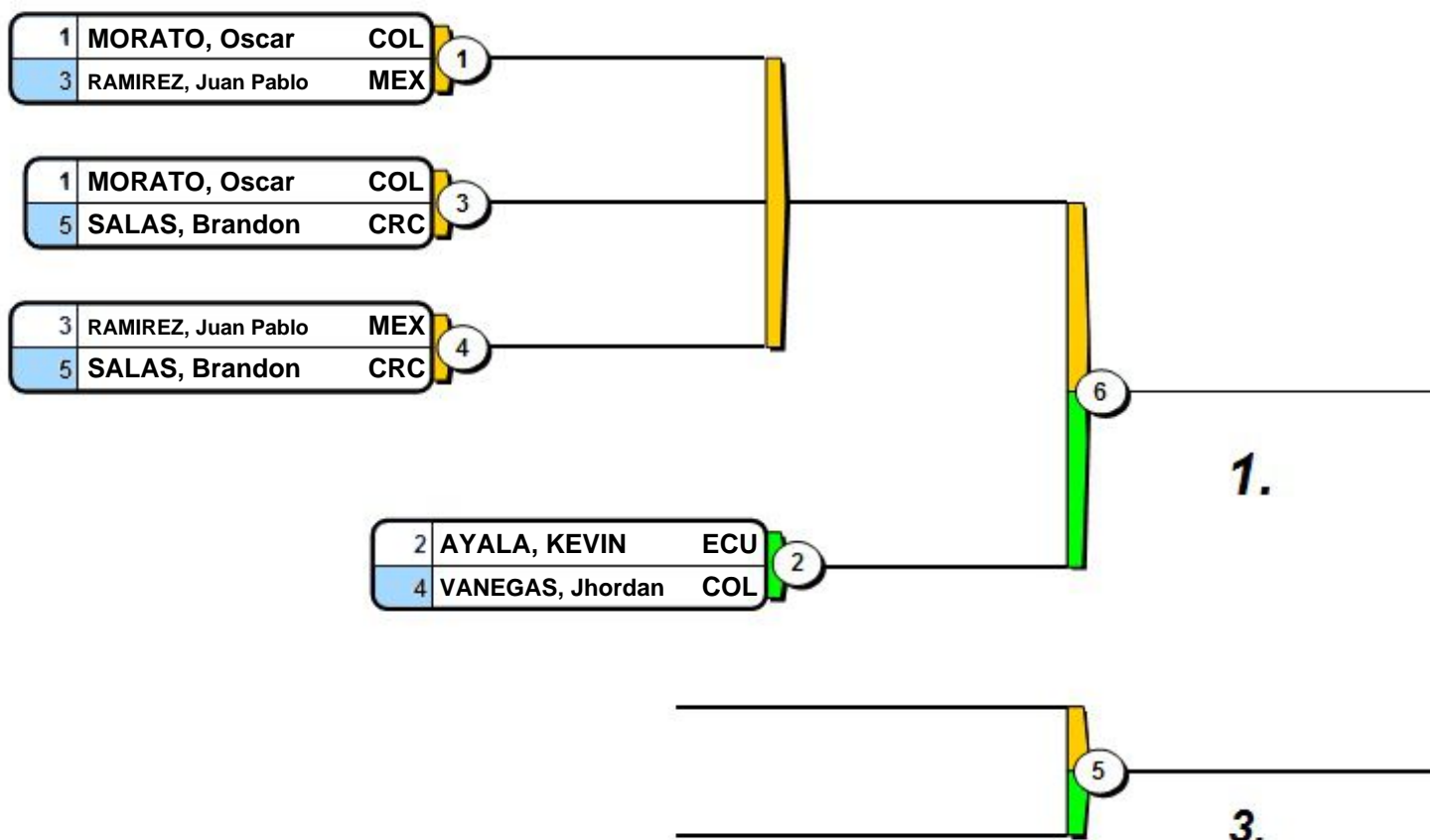
Cali (COL), 13 Aug 2021

-60 kg

5 Judoka

	1	3	5	Wins Score	
1 MORATO, Oscar COL				0 0	
3 RAMIREZ, Juan Pablo MEX				0 0	
5 SALAS, Brandon CRC				0 0	

	2	4	Wins	Scores
2 AYALA, KEVIN ECU				(0)
4 VANEGAS, Jhordan COL				(0)



Final Results

- 1.
- 2.
- 3.

Pan American Cadet Championships 2021

Cali (COL), 13 Aug 2021

-66 kg

3 Judoka

			1	2	3	Wins Score	
1	QUIROZ ESPINOZA, Dillan	COL				0 0	
2	SANCHEZ GARNICA, Keiner	COL				0 0	
3	GUZMAN, Yohel	CRC				0 0	

1	QUIROZ ESPINOZA, Dillan	COL	1
2	SANCHEZ GARNICA, Keiner	COL	

1	QUIROZ ESPINOZA, Dillan	COL	2
3	GUZMAN, Yohel	CRC	

2	SANCHEZ GARNICA, Keiner	COL	3
3	GUZMAN, Yohel	CRC	

Final Results

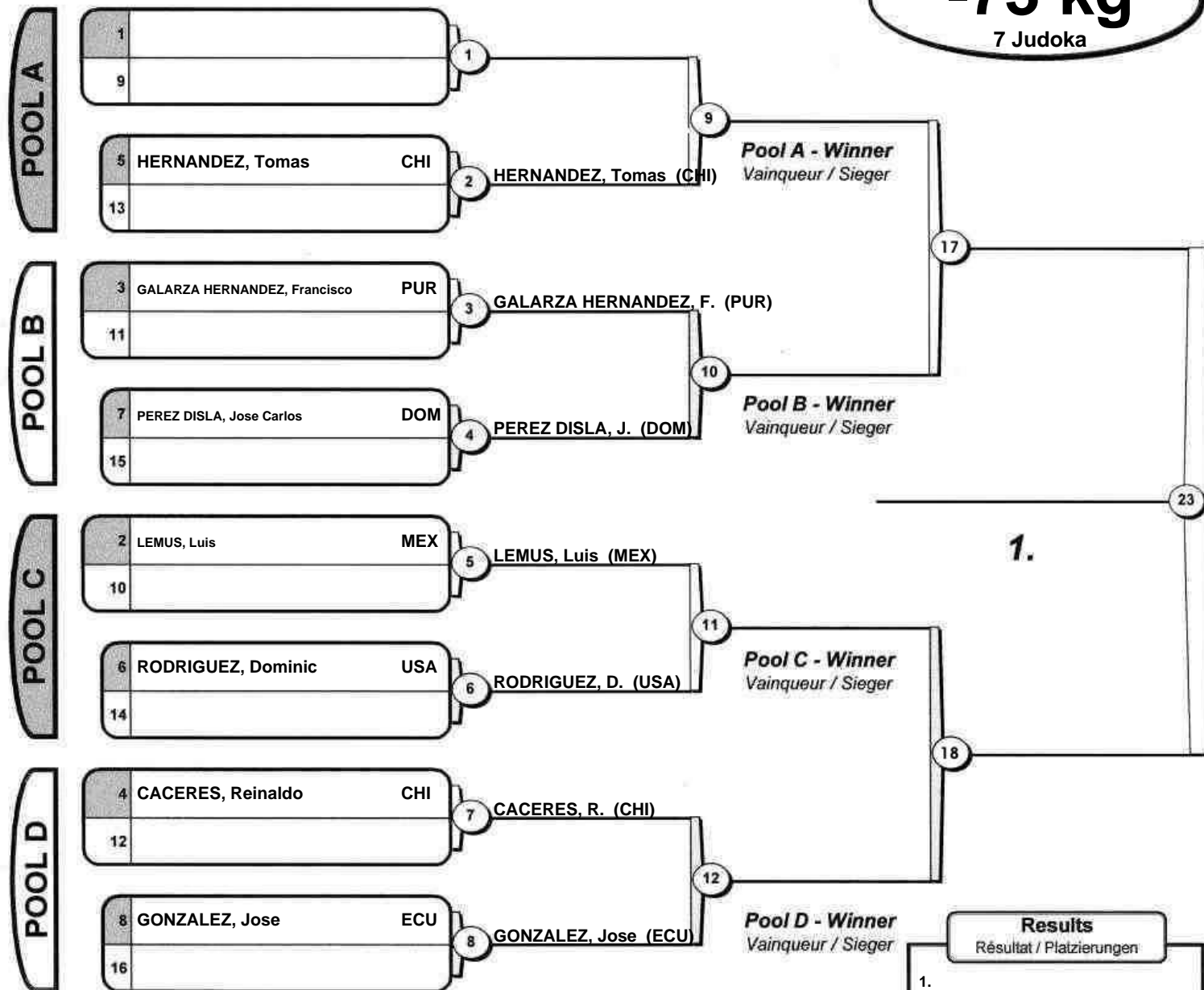
- 1.
- 2.
- 3.

Pan American Cadet Championships 2021

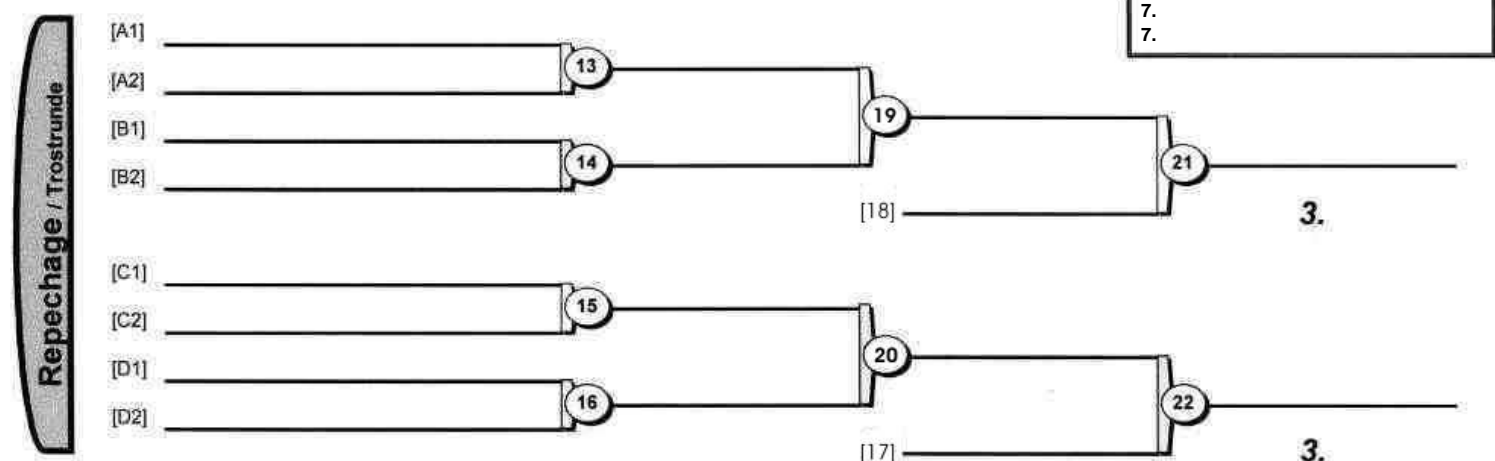
Cali (COL), 13 Aug 2021

-73 kg

7 Judoka



Results	
Résultat / Platzierungen	
1.	
2.	
3.	
3.	
5.	
5.	
7.	
7.	

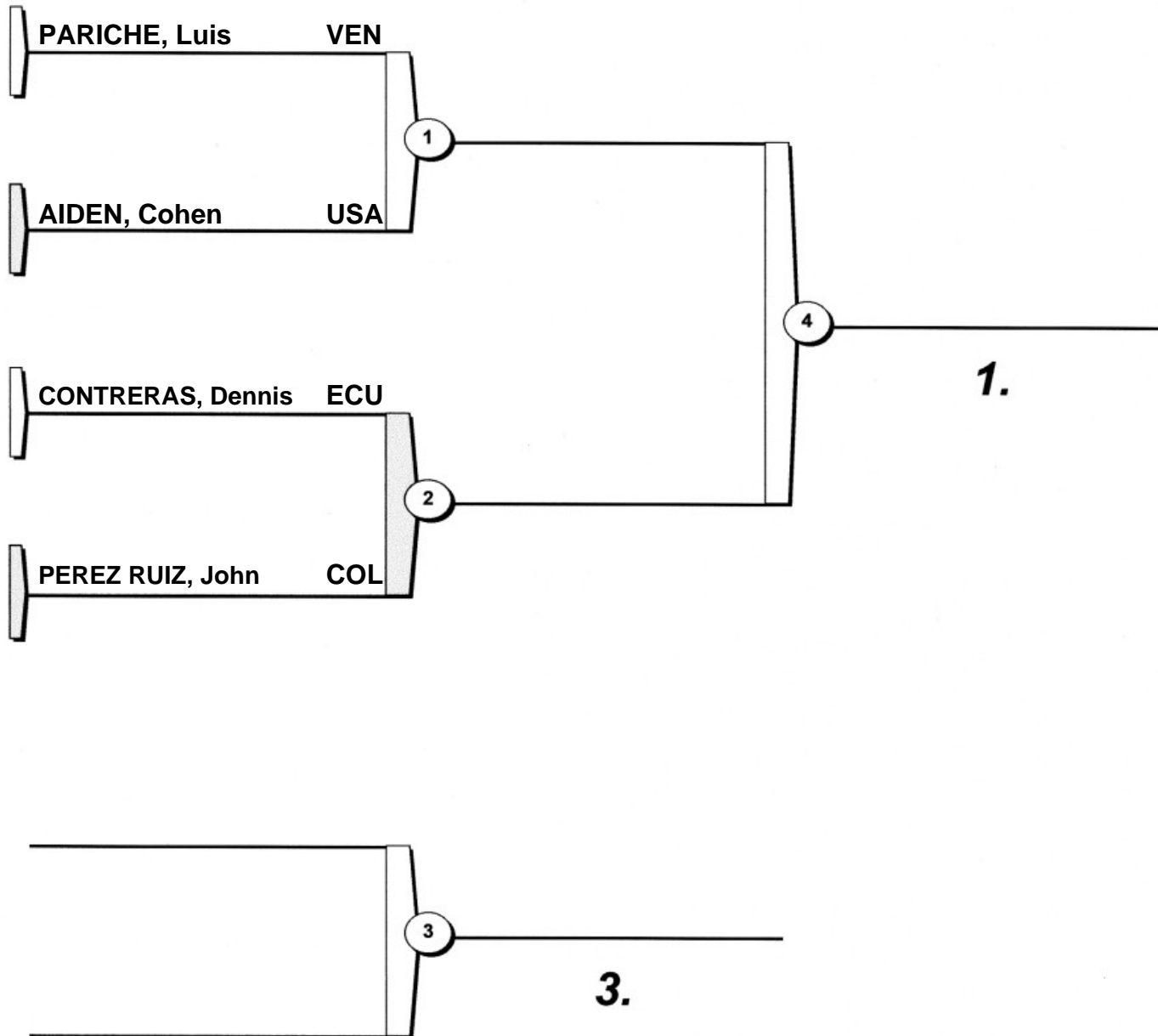


Pan American Cadet Championships 2021

Cali (COL), 13 Aug 2021

-81 kg

4 Judoka



Final Results

- 1.
- 2.
- 3.

Pan American Cadet Championships 2021

Cali (COL), 13 Aug 2021

-90 kg

3 Judoka

			1	2	3	Wins Score	
1	BAREIRO, Ezequiel	PAR				0 0	
2	GALVIS, Christopherd	COL				0 0	
3	VITHOULKAS, Nikolas	USA				0 0	

1	BAREIRO, Ezequiel	PAR	1	_____
2	GALVIS, Christopherd	COL		

1	BAREIRO, Ezequiel	PAR	2	_____
3	VITHOULKAS, Nikolas	USA		

2	GALVIS, Christopherd	COL	3	_____
3	VITHOULKAS, Nikolas	USA		

Final Results

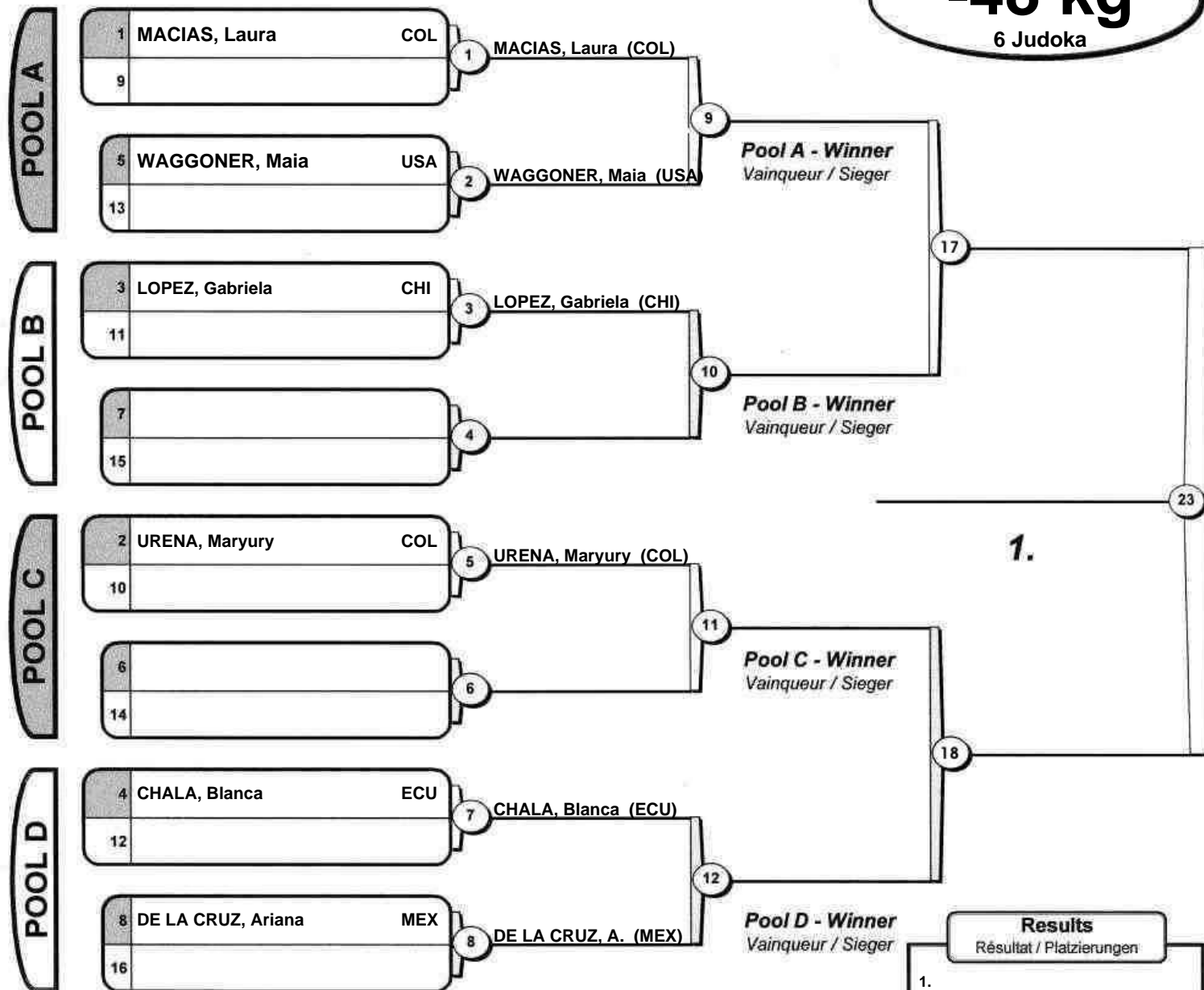
- 1.
- 2.
- 3.

Pan American Cadet Championships 2021

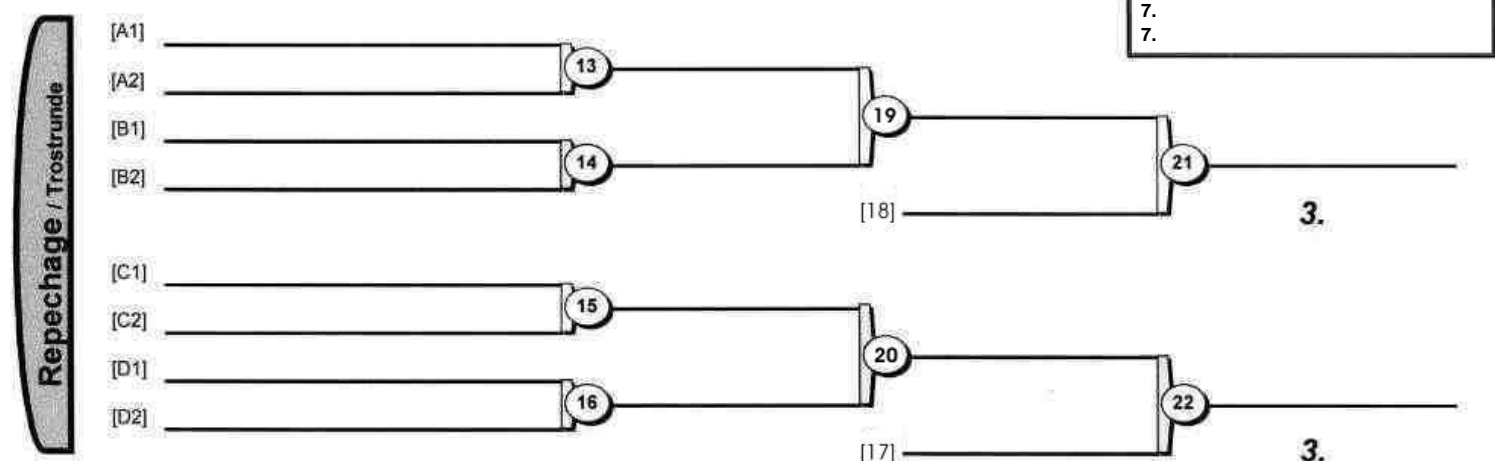
Cali (COL), 13 Aug 2021

-48 kg

6 Judoka



Results	
Résultat / Platzierungen	
1.	
2.	
3.	
3.	
5.	
5.	
7.	
7.	

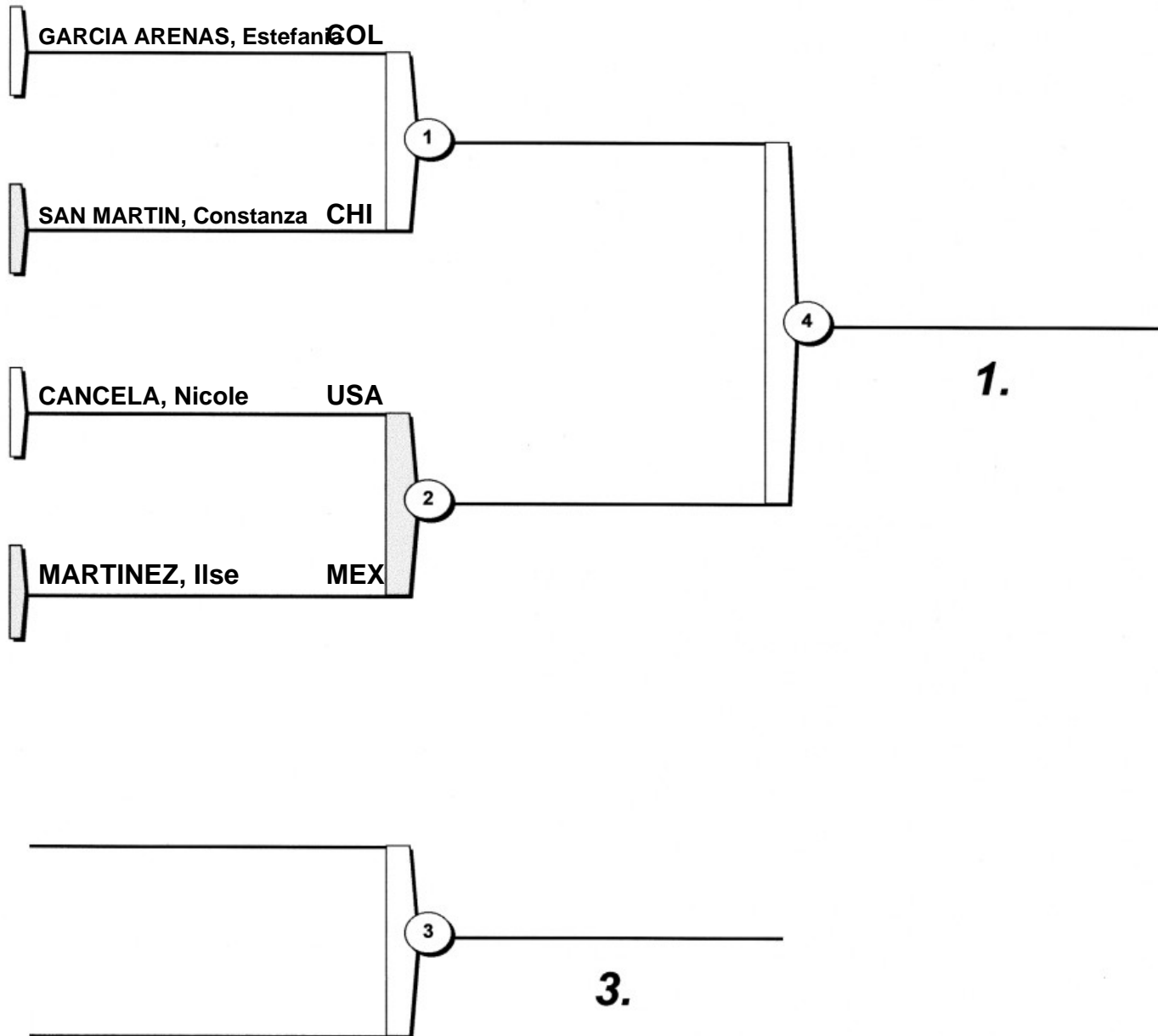


Pan American Cadet Championships 2021

Cali (COL), 13 Aug 2021

-52 kg

4 Judoka



Final Results

- 1.
- 2.
- 3.

Pan American Cadet Championships 2021

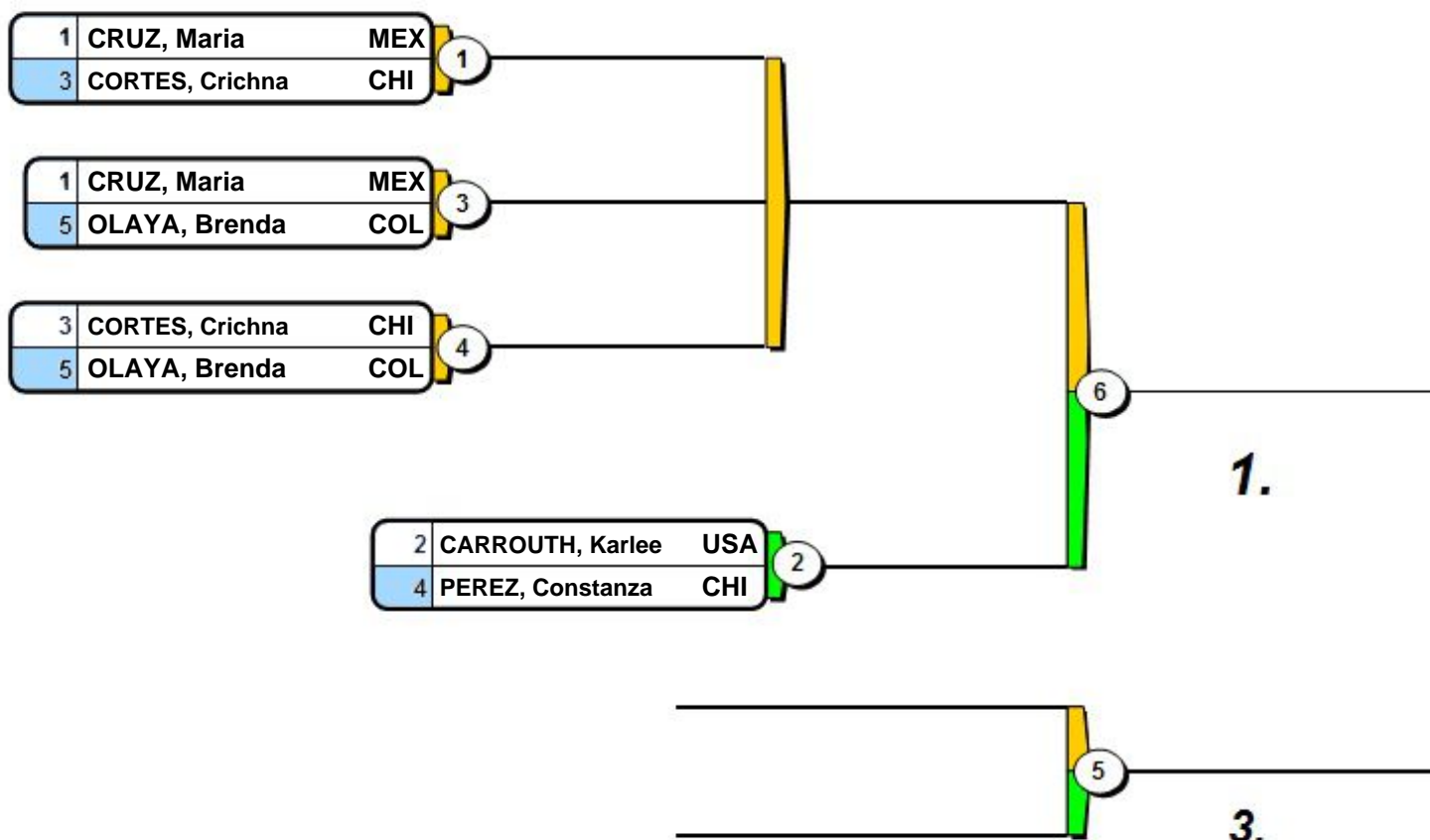
Cali (COL), 13 Aug 2021

-63 kg

5 Judoka

			1	3	5	Wins Score	
1	CRUZ, Maria	MEX				0 0	
3	CORTES, Crichna	CHI				0 0	
5	OLAYA, Brenda	COL				0 0	

			2	4	Wins	Scores
2	CARROUTH, Karlee	USA				(0)
4	PEREZ, Constanza	CHI				(0)



Final Results

- 1.
- 2.
- 3.

Pan American Cadet Championships 2021

Cali (COL), 13 Aug 2021

-70 kg

3 Judoka

			1	2	3	Wins Score	
1	BONILLA, Daniela	CRC				0 0	
2	CHOCO, Ingrid	COL				0 0	
3	GONZALEZ, Shavon	USA				0 0	

1	BONILLA, Daniela	CRC	1	_____
2	CHOCO, Ingrid	COL		

1	BONILLA, Daniela	CRC	2	_____
3	GONZALEZ, Shavon	USA		

2	CHOCO, Ingrid	COL	3	_____
3	GONZALEZ, Shavon	USA		

Final Results

- 1.
- 2.
- 3.

Pan American Cadet Championships 2021

Cali (COL), 13 Aug 2021

+70 kg

3 Judoka

			1	2	3	Wins Score	
1	PALACIO ROMEO, Angelina	COL				0 0	
2	PADILLA, Barbara	MEX				0 0	
3	RUPP, Canna	USA				0 0	

1	PALACIO ROMEO, Angelina	COL	1	_____
2	PADILLA, Barbara	MEX		

1	PALACIO ROMEO, Angelina	COL	2	_____
3	RUPP, Canna	USA		

2	PADILLA, Barbara	MEX	3	_____
3	RUPP, Canna	USA		

Final Results

- 1.
- 2.
- 3.